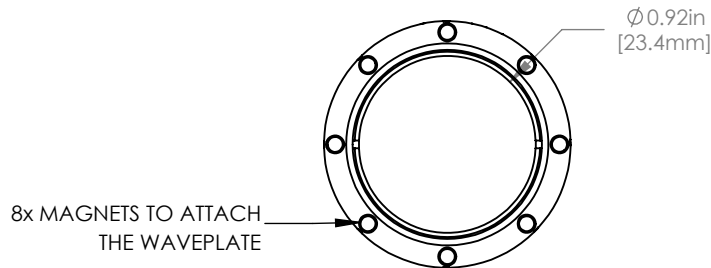
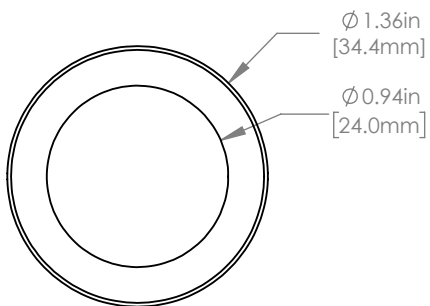
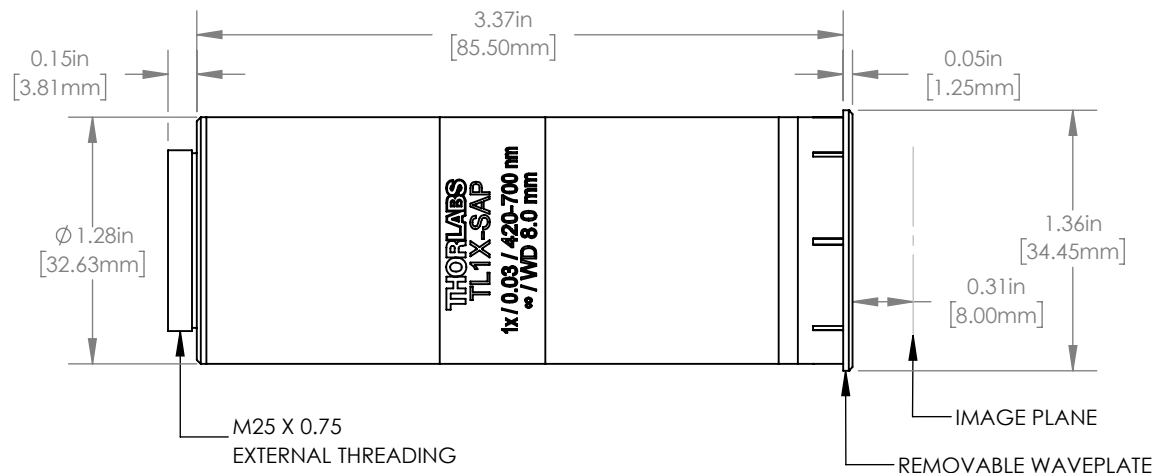
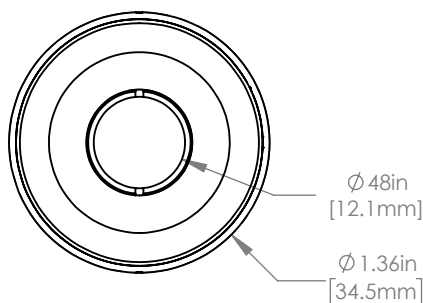
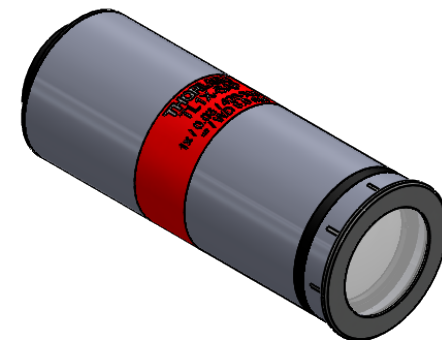


VIEW OF REMOVABLE WAVEPLATE



FRONT VIEW OF OBJECTIVE WITH OUT THE WAVEPLATE



NOTES/SPECIFICATIONS:

1. MAGNIFICATION: 1X
2. RECOMMENDED TUBE LENS: 200 mm FOCAL LENGTH
3. NUMERICAL APERTURE (NA): 0.03
4. PARFOCAL LENGTH: 95.0mm
5. WORKING DISTANCE: 8.0mm
6. COATING: BBAR 420-700nm, $R_{avg} < 0.5\%$, 0° AOI

FOR INFORMATION ONLY
NOT FOR MANUFACTURING PURPOSES

DRAWING PROJECTION				THORLABS www.thorlabs.com 1X SUPER APOCHROMATIC OBJECTIVE	
NAME	DATE				
DRAWN	JB	01/25/19	MATERIAL		REV
APPROVAL	MS	01/25/19	N/A		A
COPYRIGHT © 2019 BY THORLABS					
VALUES IN PARENTHESIS ARE CALCULATED AND MAY CONTAIN ROUND OFF ERRORS				ITEM #	APPROX WEIGHT
				TL1X-SAP	0.14 kg