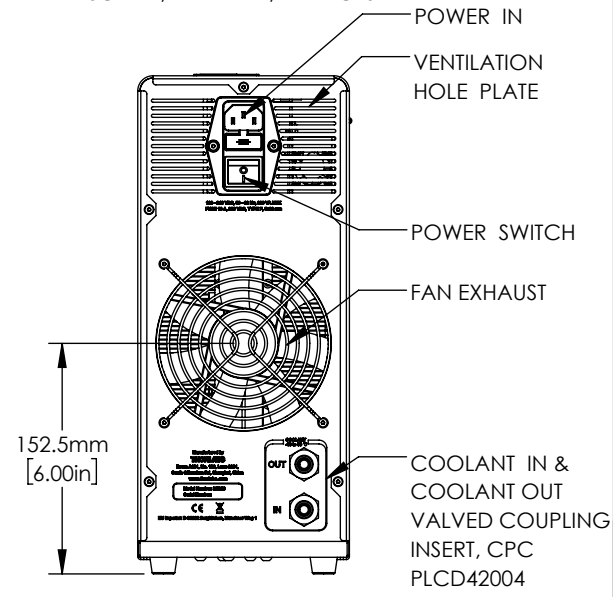
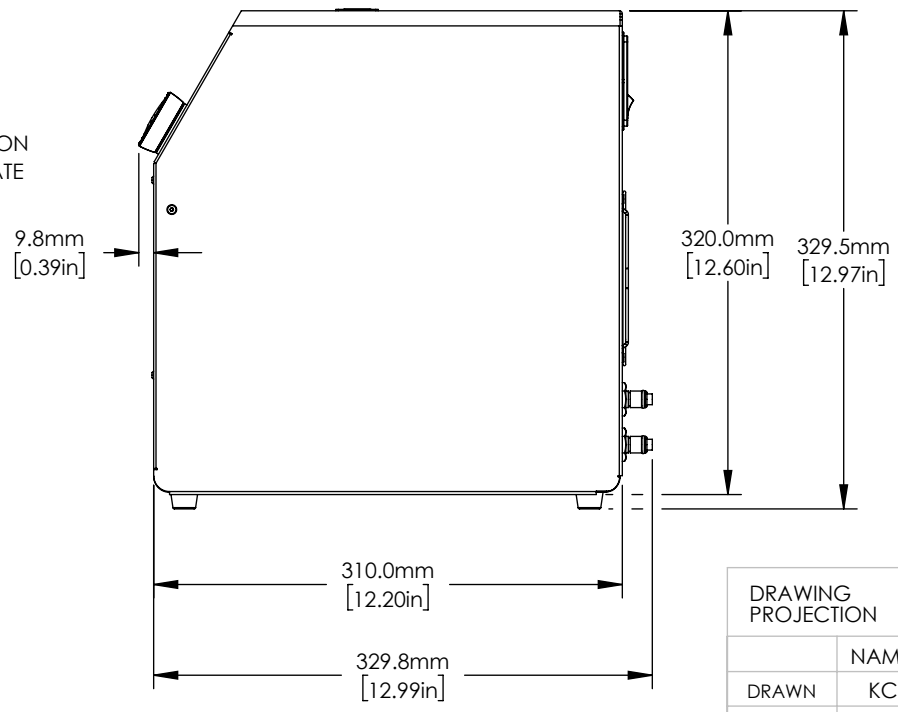
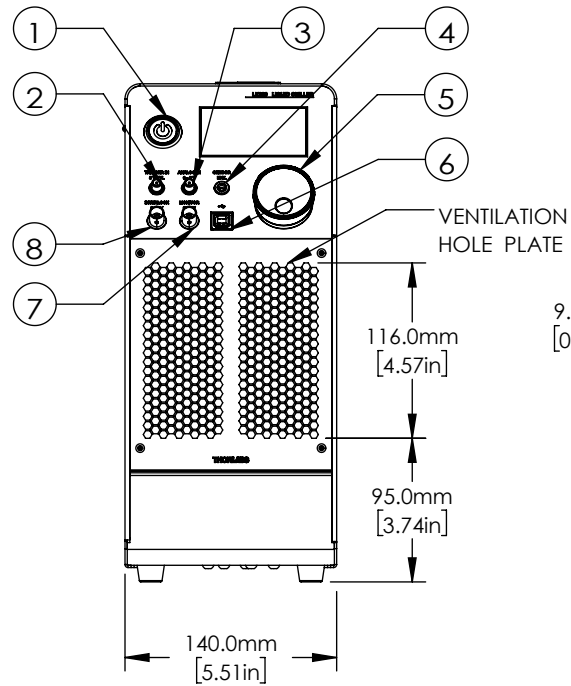
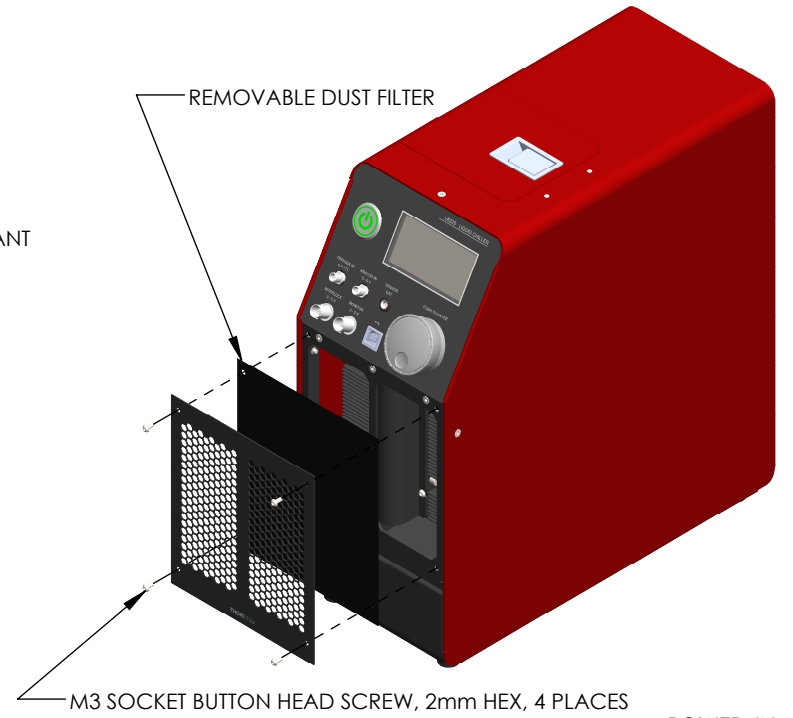
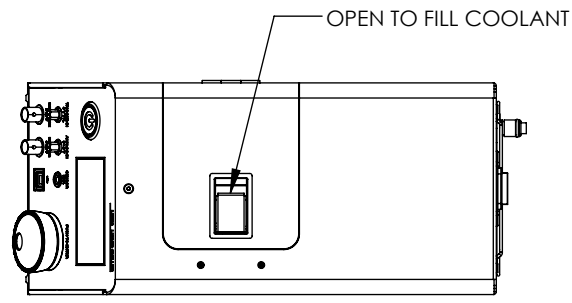


NUMBER	DEFINITION
1	POWER SWITCH
2	SMA CONNECTOR FOR TRIGGER IN (5 V TTL)
3	SMA CONNECTOR FOR ANALOG IN (0 - 5 V)
4	SOCKET FOR EXTERNAL THERMISTOR (TSP-TH)
5	ADJUSTMENT KNOB
6	USB TYPE-B
7	BNC CONNECTOR FOR MONITOR (0 - 5 V)
8	SMA CONNECTOR FOR ANALOG IN (0 - 5 V)



FOR INFORMATION ONLY
NOT FOR MANUFACTURING PURPOSES

DRAWING PROJECTION		
	NAME	DATE
DRAWN	KC	10/Dec/2019
APPROVAL	SS	10/Dec/2019
COPYRIGHT © 2019 BY THORLABS		
VALUES IN PARENTHESIS ARE CALCULATED AND MAY CONTAIN ROUND OFF ERRORS		

THORLABS www.thorlabs.com		
THERMOELECTRIC LIQUID CHILLER		
MATERIAL		REV
N/A		A
ITEM #	APPROX WEIGHT	
LK220	8.1 kg	