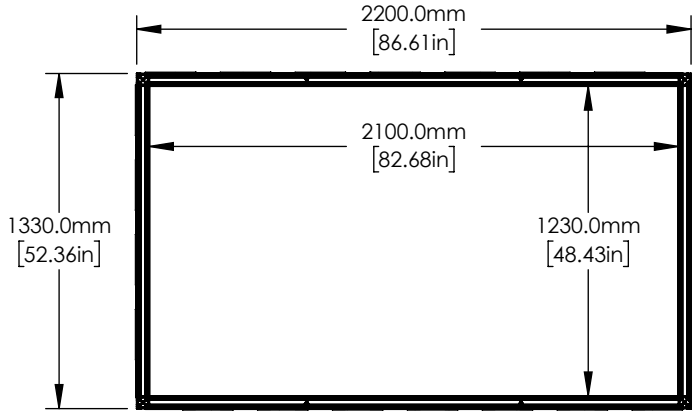


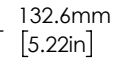
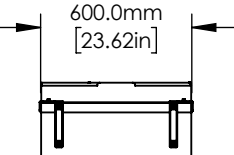
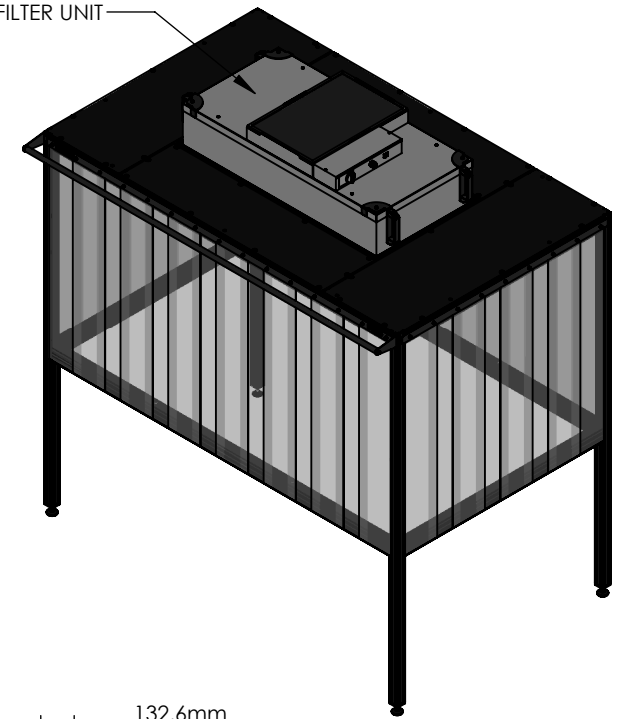
ALL DIMENSIONS AT NOMINAL FRAME HEIGHT

\*ADJUSTABLE FOOT ALLOWS ±11.5mm [0.45in] ADJUSTMENT ON THESE DIMENSIONS

\*\*MAXIMUM POSITION - THE ASSEMBLY PROCESS ALLOWS THIS PART TO BE POSITIONED LOWER

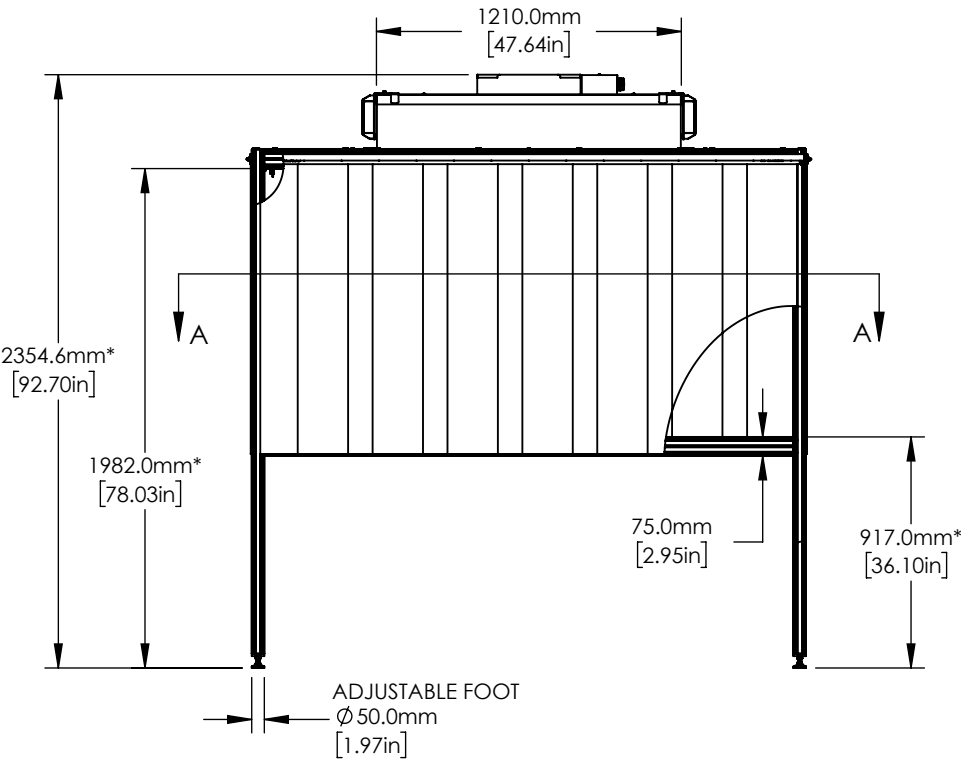


SECTION A-A



CURTAIN BAR  
2026.5mm\*\*  
[79.78in]

CURTAIN LENGTH  
849.5mm\*  
[33.45in]



ADJUSTABLE FOOT  
Ø 50.0mm  
[1.97in]

FOR INFORMATION ONLY  
NOT FOR MANUFACTURING PURPOSES

DRAWING PROJECTION			<b>THORLABS</b> www.thorlabs.com	
NAME	DATE			
DRAWN	IG	26/AUG/20	LAMINAR FLOW ENCLOSURE FOR 1.2 X 2.0m TABLE, 230V FAN UNIT, EU PLUGS	
APPROVAL	SP	28/AUG/20	MATERIAL	REV A
COPYRIGHT © 2020 BY THORLABS			N/A	
VALUES IN PARENTHESIS ARE CALCULATED AND MAY CONTAIN ROUND OFF ERRORS			ITEM #	APPROX WEIGHT
			LFE1220-EU	145 kg