

IndyStar

Fast Pulse, High Precision Processing

IndyStar is a rugged high-duty cycle excimer laser designed for fast pulse frequency applications as high as 2000 Hz. Based on proven ALMETA tube technology, the Semi-S2 certified IndyStar operates over many billion pulses at ultra-short 193 nm and 248 nm wavelengths. The IndyStar series is engineered to meet the highest demands in every aspect of an industrial laser.

FEATURES & BENEFITS

- Repetition rate of 1 and 2 kHz for fast processing
- TimeLok and PowerLok functionalities for ultimate pulse control
- ALMETA tube design to ensure most efficient processing
- Semi-S2 compliance and premix gas supply to facilitate production floor integration

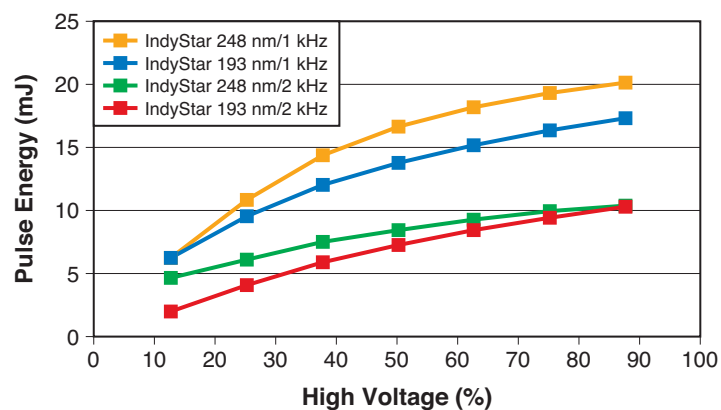
APPLICATIONS

- Photomask Inspection
- Inkjet Nozzle Drilling
- Optics Testing



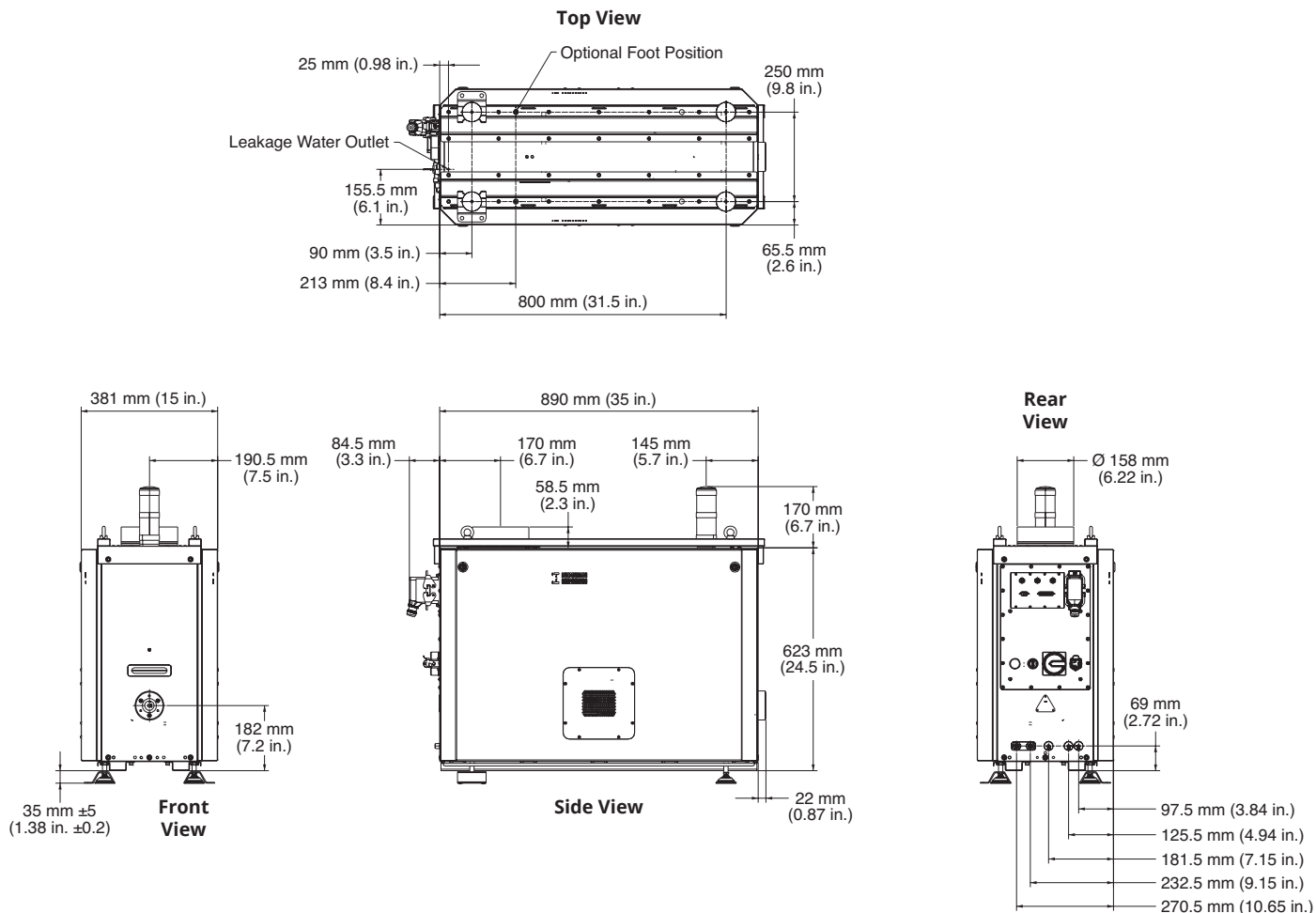
SPECIFICATIONS	IndyStar 193 1 kHz	IndyStar 193 2 kHz	IndyStar 248 1 kHz	IndyStar 248 2 kHz
Wavelength (nm)	193	193	248	248
Nominal Pulse Energy (mJ)	8	4	12	6
Nominal Pulse Power (W)	8	8	12	12
Max. Pulse Energy (mJ)	12	6	16	8
Energy Stability (sigma, %)	<2	<2	<2	<2
Max. Repetition Rate (Hz)	1000	2000	1000	2000
Beam Dimension (FWHM, mm, V x H)	(5.7 ±0.5) x (2.5 ±0.5)	(5.5 ±0.5) x (2.3 ±0.5)	(5.7 ±0.5) x (2.7 ±0.5)	(5.5 ±0.5) x (2.6 ±0.5)
Beam Divergence (FWHM, mm, V x H)	(2.25 ±0.5) x (1.0 ±0.5)	(2.75 ±0.5) x (1.0 ±0.5)	(2.4 ±0.5) x (1.6 ±0.5)	(2.5 ±0.5) x (1.5 ±0.5)
Pulse Duration (FWHM, ns)	5 ±2	4 ±1	6 ±2	4 ±1
Cooling	Air/Water	Water	Air/Water	Water
Weight	135 kg (297 lbs.)			
Laser Dimensions	974 x 381 x 838 mm (48.23 x 7.8 x 8.96 in.)			
Electrical	230 V (1-phase) / 208 V (2-phase), 50/60 Hz, 2100 VA			

IndyStar Series Energy Performance



MECHANICAL SPECIFICATIONS

IndyStar

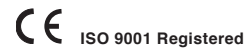



Coherent, Inc.,
 5100 Patrick Henry Drive Santa Clara, CA 95054
 p. (800) 527-3786 | (408) 764-4983
 f. (408) 764-4646

tech.sales@Coherent.com www.coherent.com

Coherent follows a policy of continuous product improvement. Specifications are subject to change without notice. Coherent's scientific and industrial lasers are certified to comply with the Federal Regulations (21 CFR Subchapter J) as administered by the Center for Devices and Radiological Health on all systems ordered for shipment after August 2, 1976.

Coherent offers a limited warranty for all IndyStar Lasers. For full details of this warranty coverage, please refer to the Service section at www.Coherent.com or contact your local Sales or Service Representative. MC-038-08-0M0620Rev.D Copyright ©2020 Coherent, Inc.





VISIBLE AND INVISIBLE LASER RADIATION.
 AVOID EYE OR SKIN EXPOSURE TO
 DIRECT OR SCATTERED RADIATION.
 CLASS IV LASER RADIATION PRODUCT
 PER EN/IEC 60825-1 (2014)

MAX. AVERAGE POWER: 36 W
 MAX. OUTPUT ENERGY: 25 mJ/pulse
 PULSE DURATION: 3 to 15 ns
 WAVELENGTH: 193 to 248 nm