



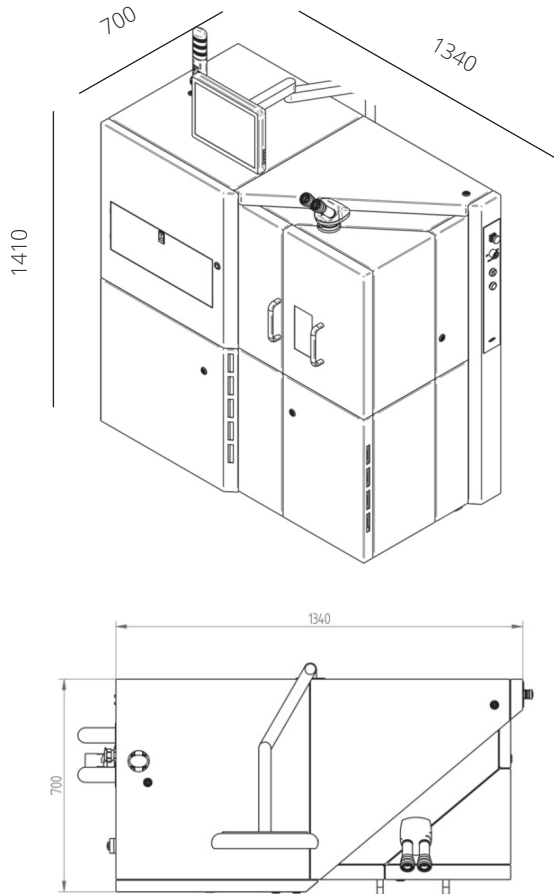
StarCut Tube Family

When Precision Matters Most



StarCut Tube SL

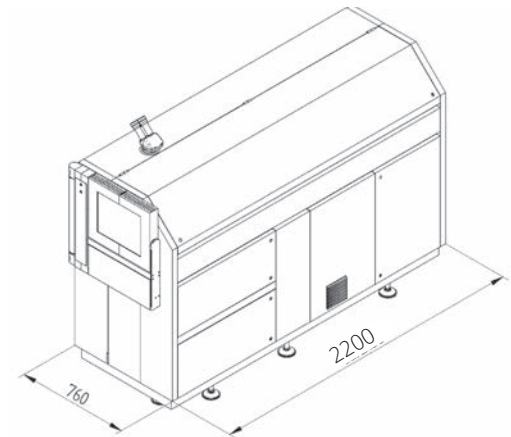
Small in Footprint – Big in Production



SPECIFICATIONS	StarCut Tube SL	
Axis Travel (x, z) (mm ²)	300 x 40	
Axis Speed (Rotary) (Rev/min)	600 to 1200	
Z-Axis Options	Motorized or Manual	
Tube Diameter (mm)	up to 15	
Dimensions (mm) (L x W x H)	700 x 1340 x 1410	
Weight (kg)	1300	
LASER SOURCE	Monaco	StarFiber 180/320 FC
Type	Solid-State Laser	Fiber Laser
Wavelength (nm)	1035 ±5	1070
Pulse Duration/Pulse Width	<350 fs	0.5 μs (cw)
Pulse Frequency	1 MHz	Single-Shot up to 170 KHz
Beam Quality (M ²)	<1.2	<1.1

StarCut Tube

For Metal and Polymer:
Flexible and Fast Without Compromise



Also Available as Hybrid Solution:
Ultra-Short Pulse and Fiber Laser
in One Housing

SPECIFICATIONS	StarCut Tube	
Axis Travel (x, y, z) (mm ²)	300 / 600 x 75 x 40	
Axis Speed (Rotary) (Rev/min)	600 to 1200	
Tube Diameter (mm)	up to 30	
Dimensions (mm) (L x W x H)	760 x 2200 x 1430	
Weight (kg)	1200	
LASER SOURCE	Monaco	StarFiber 180/320 FC
Type	Solid-State Laser	Fiber Laser
Wavelength (nm)	1035 ±5	1070
Pulse Duration/Pulse Width	<350 fs	0.5 µs (cw)
Pulse Frequency	1 MHz	Single-Shot up to 170 KHz
Beam Quality (M ²)	<1.2	<1.1

One for All



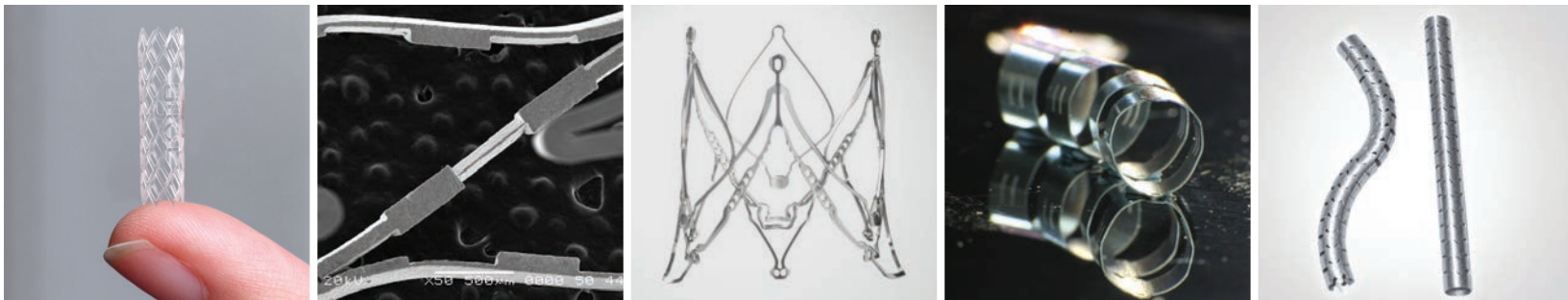
CUSTOMER BENEFITS StarCut Tube SL

- Smallest footprint in the market
- Tube diameter up to 15 mm
- Massive and proven mineral cast set-up
- Only 3 side accessibility necessary (minimizes production floor and allows high package density)
- High precision cutting system for medical implants (e.g. stents) or instruments
- Can cut struts smaller than a human hair
- Wet cut solution with integrated water pump
- Automatic tube feeder for dry and wet cutting
- Viewing via microscope or camera for the exact monitoring of the cutting process
- HMI-Pro with security user access levels, diagnostic and data logging
- Sorter module adaptable

All for One

StarFeed L

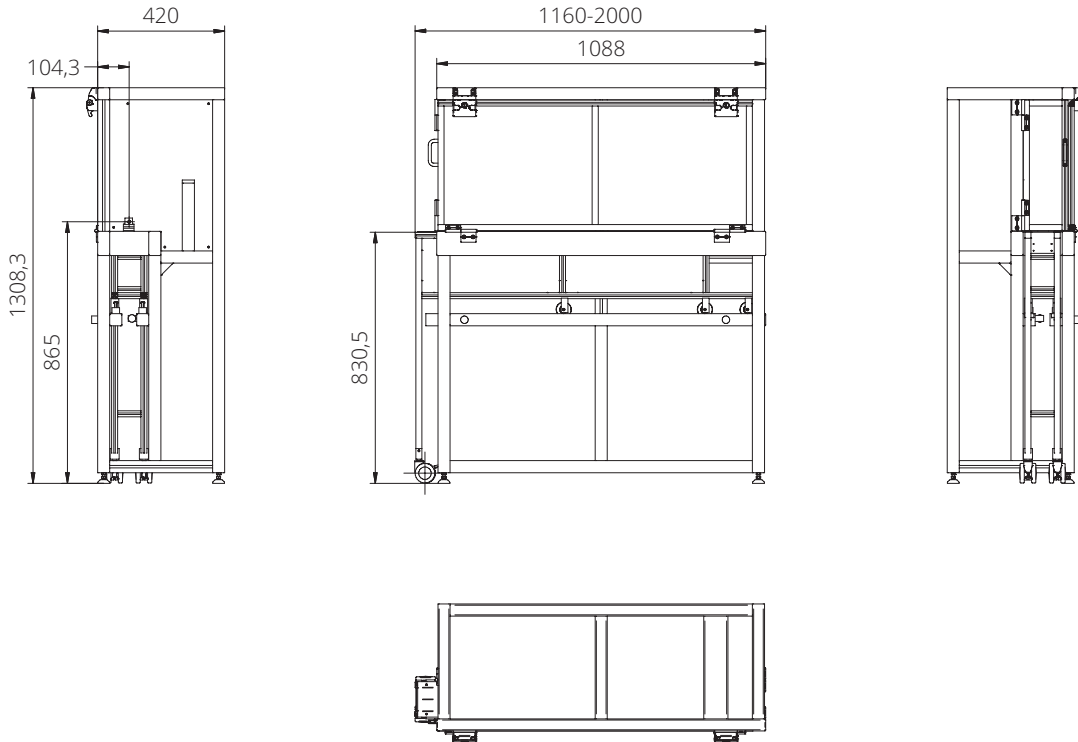
StarCut Tube



CUSTOMER BENEFITS StarCut Tube

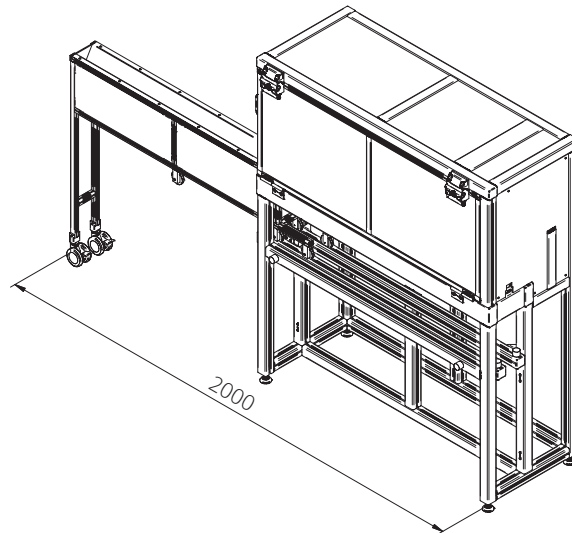
- Massive and proven granite set-up
- Flat cutting option
- Tube diameter up to 30 mm
- Available with 2, 3 or 4 axes
- High precision cutting system for medical implants (e.g. stents) or instruments
- Can cut struts smaller than a human hair
- Wet cut solution with integrated water pump
- Automatic tube feeder for dry and wet cutting
- Viewing via microscope or camera for the exact monitoring of the cutting process
- HMI-Pro with security user access levels, diagnostic and data logging
- Sorter module adaptable

StarFeed S

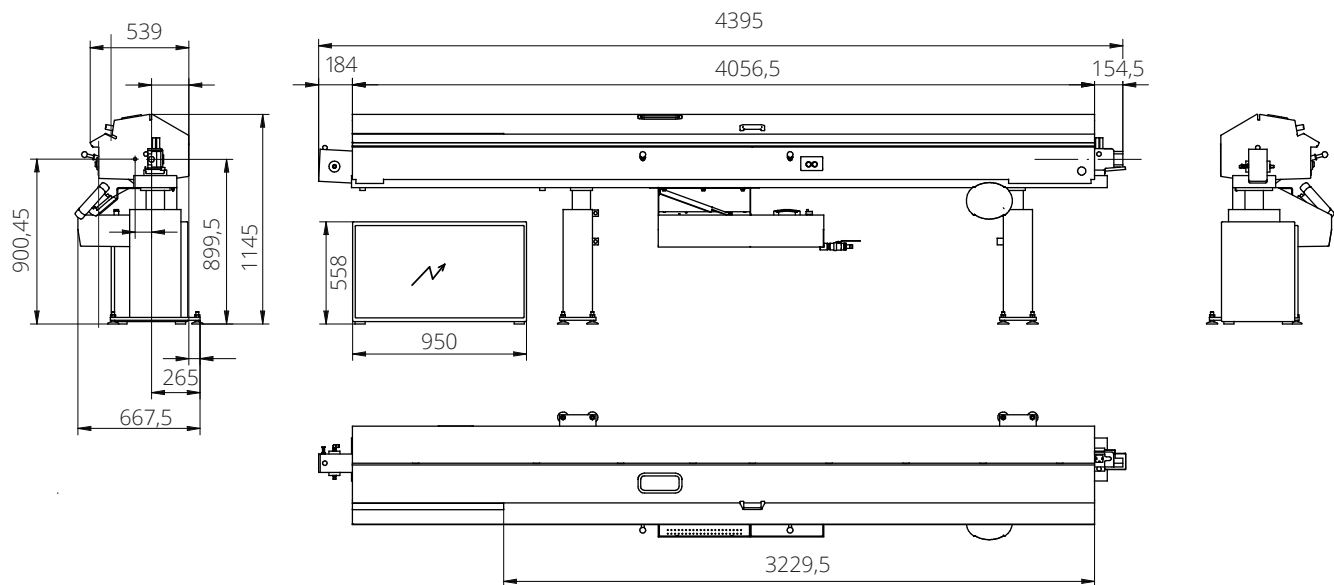


CUSTOMER BENEFITS StarFeed S

- Tube diameter >0.3 mm
- Extendable to 3 m tube length
- Can store up to several hundred tubes
- Precise and fast feeding
- No damage due to innovative and sensor-controlled gripping unit
- Increase of productivity
- Unmanned production



StarFeed L



CUSTOMER BENEFITS StarFeed L

- Automatic tube feeder for dry and wet cutting
- Tube length max. 3.2 m
- Storage for 48 tubes
- Tube diameter from 1-20 mm
- Cutting of oval tubes possible
- Increase of productivity
- Unmanned production



Coherent, Inc.,
5100 Patrick Henry Drive Santa Clara, CA 95054
p. (800) 527-3786 | (408) 764-4983
f. (408) 764-4646

tech.sales@Coherent.com www.coherent.com

Coherent follows a policy of continuous product improvement. Specifications are subject to change without notice. Coherent's scientific and industrial lasers are certified to comply with the Federal Regulations (21 CFR Subchapter J) as administered by the Center for Devices and Radiological Health on all systems ordered for shipment after August 2, 1976.

Coherent offers a limited warranty for all Lasers. For full details of this warranty coverage, please refer to the Service section at www.Coherent.com or contact your local Sales or Service Representative. MC-XXX-18-0M0318 Copyright ©2018 Coherent, Inc.



IRVISIBLE LASER RADIATION
AVOID EXPOSURE TO DIRECT OR SCATTERED
RADIATION
CLASS 3 LASER PRODUCT

